

# kitchen & bath DESIGN NEWS

The leading business, design and product resource for the kitchen & bath trade

6/12

CYGNUS  
BUSINESS MEDIA

CELEBRATING OUR 30TH YEAR OF PUBLISHING EXCELLENCE

**KBIS PRODUCT REVIEW**

**51** | SMART, BOLD  
STYLE MARKS  
KBIS OFFERINGS

*Special Report*

DEALERS CITE  
**CRITICAL  
ISSUES**

**36**

**Project Case Study**

**29** | BACHELOR KITCHEN GETS  
CONTEMPORARY UPDATE





## Entertainment Sink

The Entertainer Sink from **Lenova** does double duty as a prep station and refreshment center, with a long, narrow shape and undermount design that offers accessibility. The sink, made of 16-gauge stainless steel, comes with a scratch-resistant satin finish and Lenova's X Channel drainage technology. Included with the unit are its own drainboards, wine cooler and three condiment trays.

Circle No. 191 on Product Card

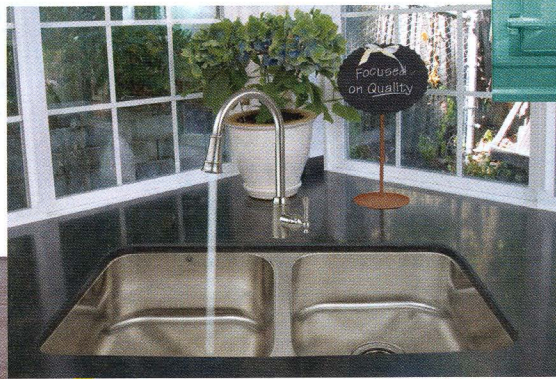


## Cast Iron Range

The AGA Total Control Range from **AGA Marvel** has debuted in the U.S., featuring two large hotplates and three radiant-heat cast-iron ovens, all preset at the correct temperature for

roasting, slow cooking and baking. The Total Control system provides 10 ways to cook, and vents directly into the room, allowing for ease of installation.

Circle No. 192 on Product Card



## Stainless Steel Sinks

**Artisan Manufacturing Corp.** has introduced three lines of stainless steel sinks custom designed for the **Frigidaire** brand. The 16- and 18-gauge versions are 10"-deep undermount sinks that are resistant to stains and corrosion. The Chef Pro collection is designed for spaces where depth and higher bowl volume are needed. With a 10" bowl, undermount models in this line feature 16-gauge thickness and 304 commercial-grade steel.

Circle No. 193 on Product Card

## Concealed Toilet Tanks

**Geberit's** UP720 Concealed Tank and Carrier System fits in a standard 2"x4" wood or steel wall, streamlining installation of the

wall-hung toilet to any bathroom renovation or new construction. The water-saving dual-flush tank uses 3 LPF or 6 LPF, and the carrier can be adjusted to accommodate seat heights ranging from 15" to 19". The model offers tool-free access for maintenance through the actuator.

Circle No. 194 on Product Card



## Marketing Tools App

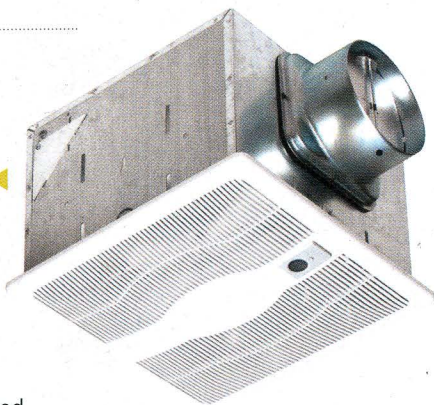
**The Kitchen & Bath Channel App**, created by two long-time kitchen and bath industry pros, provides kitchen and bath dealers and designers with an expanding suite of marketing tools using the latest technology. For homeowners, the app provides a comprehensive resource and directory for kitchen and bath remodeling. The smartphone app is free to download and is available for the iPhone, Android or Blackberry.

Circle No. 195 on Product Card

## Exhaust Fans

**Air King** has added motion-sensing exhaust fans to its line of ventilation fans, offering an automated Energy Star-qualified solution for residential ventilation. The new fans are available in single- and dual-speed models with a maximum speed of 80 or 130 CFM. Once the fan is installed, it turns on automatically when the room is occupied and shuts off after a preset amount of time when the room is vacated.

Circle No. 196 on Product Card



## Decorative Hardware

The Roundabout Collection is a new series of decorative hardware from **Atlas Homewares** that features a modern, semi-circle design. The pulls, which are available in 1-1/4", 3" and 5" versions, come in black, brushed nickel, modern bronze and polished chrome.

Circle No. 197 on Product Card



## Amelie Bath Vanity

Inspired by the French town of Amelie les Bains Palada, known for its hot springs and baths, the Amelie vanity from **Native Trails** is fashioned from Caramel Bamboo with heat compressed, wood molded legs in a curved shape. The handcrafted 'wraparound' forms its one-piece sides and top and features a transparent tempered glass shelf. An inset drawer incorporates three compartments and soft-close glides.

Circle No. 198 on Product Card

