

Special Issue

RENOVATION STYLE

Win
a \$25,000 Kitchen
Makeover
P. 20

*Best Kitchens
& Baths*

Flip
FOR BATHS

2011
Display until June 7
\$5.99 U.S.



RemodelingCenter.com

Add Style & Function
Design Experts Show You How

137 Products to Complete Your Look

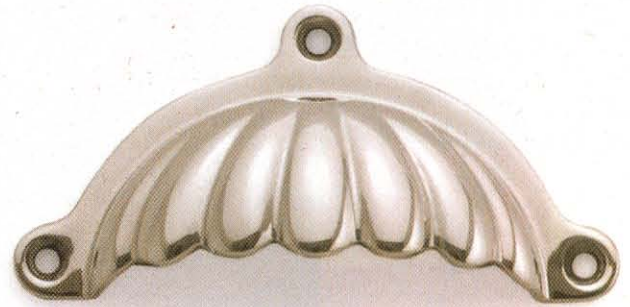


Bin Pull

nanz.com

Get a firm grip on this robustly proportioned lobed dome bin pull by The Nanz Company, elegantly detailed with scallops and three flanges for fasteners.

Bin pull (8680), The Nanz Company, from \$95



Knob

duverre.com

Metalsmith Heinz Pflieger found this detailed, beautifully textured design in nature and cast it in environmentally friendly recycled aluminum. Knobs and pulls are available in two finishes.

Pomegranate round cabinet knob in satin nickel, Du Verre, from \$11

Knob

rockymountainhardware.com

Designer Roger Thomas imagined his shapely new collection for Rocky Mountain Hardware with a romance inspired by chateaus in 17th- and 18th-century France.

Quatrafoil cabinet knob in Silicon Bronze with Light Patina, Rocky Mountain Hardware, from \$39



Pull

atelierb.com

Artisan Belinda Beaudoin left jewelry making to concentrate on hardware in her Texas Hill Country studio. Her cast pewter alloy designs, including a series of basket-weave knobs and pulls, leave no detail untold.

4-inch Basket Weave pull, Atelier B, \$60



Knobs & Pulls

Better Homes and Gardens Special Interest Publications

RENOVATION STYLE[®]

Win
a \$25,000 Bath
Makeover
See flip side, P. 20

Special Kitchen & Bath Issue

Flip
FOR KITCHENS

Add Style & Function
Design Experts Show You How

137 Products to Complete Your Look

Editor's Picks

Our favorite bath finds create innovative solutions with elegant styling.

Shower

jaclo.com



It's a showerhead, chromatherapy, and stereo system all in one. Just plug in your iPod and go with the flow, leaving the spout horizontal for a rain shower or flipping it down for a jet waterfall.

Aquavolo Lumiere, Jaclo, \$4,500

Tub Mixer

graff-faucets.com

Cool chrome rectangular handles align at perfect right angles to the cubed column of this floor-mount tub filler, creating pure geometry whether the water is on or off.

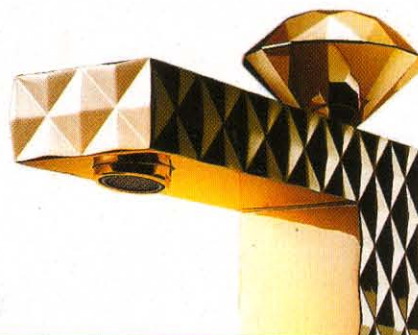
Immersion Tub Mixer [G-2357] in polished chrome, Graff, from \$2,695

Faucet

hydrologychicago.com

Designed by Dutch artist Mareel Wanders, this luxurious faucet emulates the 58 facets of a brilliant-cut diamond. Available in a mellow gold finish, *below*, or polished chrome.

Faceted Cubism faucet, Hydrology, \$1,450



Showers & Faucets

Pedestal*hastingstilebath.com*

Formed of easy-to-mold polyresin, this sink's silky surface and long, sweeping curves bring a soft edge to contemporary rooms or a sleek alternative to traditional ones.

Chelsea pedestal sink, Hastings Tile & Bath from \$1,895



Sinks & Tubs

Sink*kohler.com*

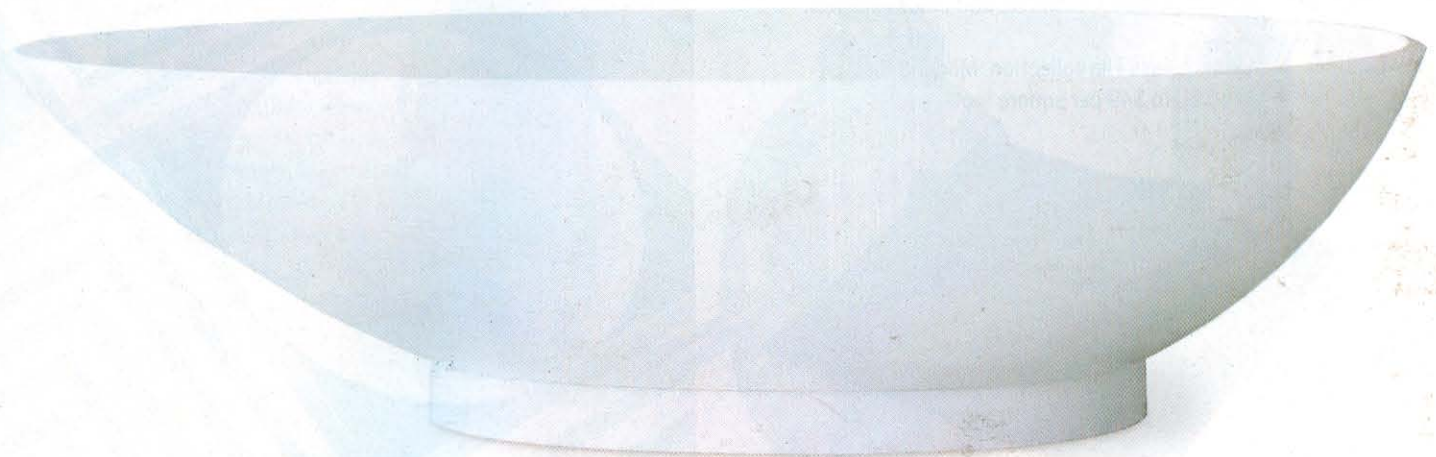
It only looks like fine-cut crystal. This seemingly clear glass undermount sink cleverly conceals items stored beneath while reflecting light and color in captivating patterns.

Kallos glass lavatory, Kohler, \$475

**Bathtub***vandabaths.com*

Sleekly styled in a half-egg shape, this tub, made from a unique material rich in natural volcanic limestone, combines interior comfort with the exterior convenience of low step-in height.

Napoli, Victoria & Albert, \$4,700



BEST
BATHS

*Mount Pleasant,
South Carolina*

Sense of Scale
Storage
Natural Light

Borrowing space from adjacent rooms, this master bath expands to accommodate a new sense of style.

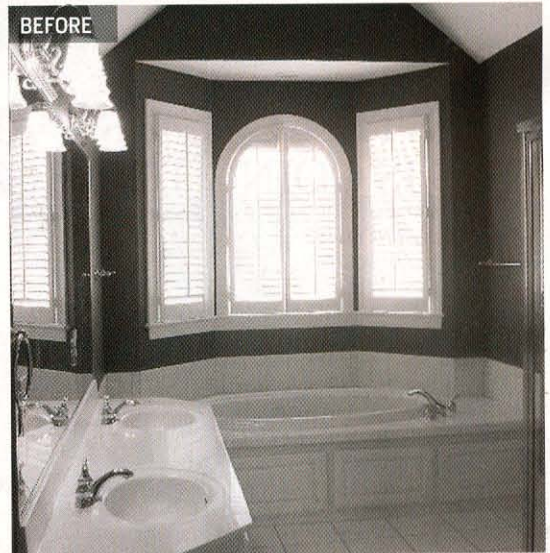
BY MICHAEL LASSELL
PHOTOGRAPHY BY BRIE WILLIAMS
PRODUCED BY SANDRA L. MOHLMANN

Fresh Focus





Left A freestanding oval bathtub—that's as sculptural as it is commodious—replaced a space-hogging built-in spa tub. New windows are covered with informal woven shades that recall a sunporch. *Bottom* Homeowner Anne Moise chose a wall-mount tub filler in a vintage design; the beaded-board wainscoting is all new. *Opposite* Mercury-glass decorative accessories share space on the marble countertop.



T

The two-story home that Anne and Mason Moise bought just outside Charleston, South Carolina, two years ago had a lot going for it. Built in the vernacular Low Country style, the house boasted double porches in the front and an unobstructed wetlands view from the back deck. But it needed some updating and a style to suit Anne, an interior designer who stays home with her three children.

Among the prime targets of Anne's renovating eye was the master bath, which was dark and narrow with a steeply vaulted ceiling that made the room feel cold and aloof. Anne envisioned a kinder, gentler, and prettier space—the same sensibility she brought to her winning kitchen makeover (see *Renovation Style*, Spring 2011, page 14). In transforming the formal existing bath to something both more luxurious and more relaxed, Anne

The Plans, *Before & After*

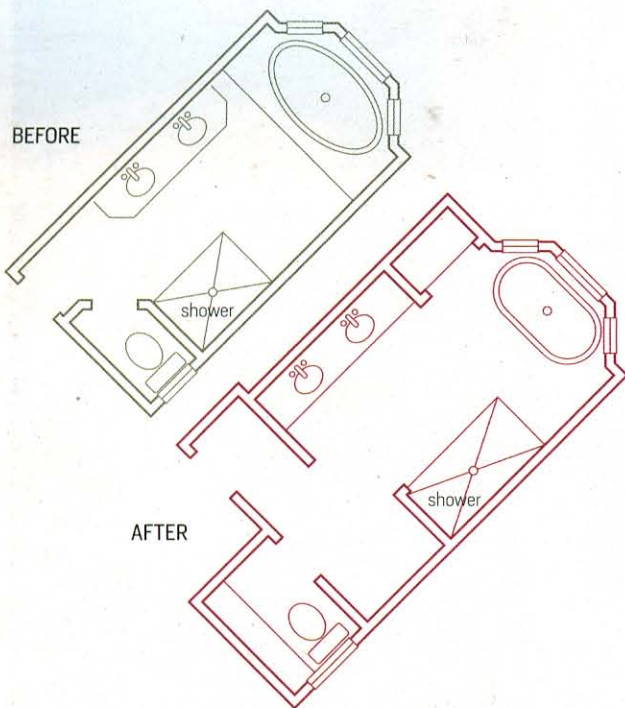
When Anne and Mason Moise bought their home two years ago, the master bath had dark walls, white tile floors, and a cathedral ceiling. It felt dated, cramped, and aloof. Anne wanted to lighten and brighten the room and to give it a timeless appeal with a new sense of space. To strike the right balance, she tempered the traditional look with unexpected details and modern shapes.

BEFORE

The original spa tub was meant as a luxury, but it was built into a big deck and took up a lot of room, both physically and visually.

The sinks were too close to the shower, and there was no room for storage except in the vanity. The room felt narrow.

The toilet was separate, but the space it occupied was both awkward, with its diagonal entry, and cramped.



AFTER

The new tub is deep and relaxing enough for a great soak but takes up much less floor space than its predecessor.

Bumping the vanity wall out 2 feet made room for ample storage—including two big medicine cabinets—for linens and toiletries.

The new toilet enclosure occupies part of a former hallway; everything now has room to breathe, even with a larger shower.

ARCHITECTURE SANFORD BYERS AND SUSAN WHITACRE
INTERIOR DESIGN MARTHA NICHOLSON AND ANNE MOISE

*Give your bath a dash
of style and a touch of
bling with these beautiful
accents.*

Tub

vandabaths.com

This sleek and modern space-saving soaking tub is only 59 inches long and manages to harken to both traditional claw-foot tubs and modernist sculpture at once.

ios bathtub, Victoria & Albert, Moluf's, \$4,200



Editor's Picks

PAGES 4-7

Tub mixer Immersion Tub Mixer G-2357 in polished chrome, from \$2,695—Graff; graff-faucets.com.
Shower Aquavolo Lumiere, \$4500, **cabinet pull** H20-FM Door Handle with finials, from \$186—Jaclo Industries; 800/852-3906; jaclo.com. **Faucet** Faceted Cubism Faucet, \$1,450—Hydrology, Chicago; 312/832-9000; hydrologychicago.com. **Pedestal** Chelsea Pedestal Sink, \$1,895—Hastings Tile & Bath, Inc.; 800/351-0038; hastingsstilebath.com. **Sink** Kallos Glass Lavatory, \$475—Kohler Co.; 800/456-4537; us.kohler.com. **Tub Napoli**, \$4700—Victoria & Albert; 800/421-7189; vandabaths.com/usa. **Ceramic tile** Archetectonics Foliage Decorative Field Tile Fleurette Deco in Matte, from \$23 each—Waterworks; 800/998-2284; waterworks.com. **Stone tile** from the Cosmati collection by Michael S. Smith, from \$190 per square foot—Ann Sacks; 800/278-8453; annsacks.com. **Glass tile** from the Modono Glass Tile collection, \$26-\$49 per square foot—Modono, Rochester, New York; 585/247-6000; modonoglass.com. **Cabinet** Archer Mirrored Bath Cabinet, \$8,500, **scance** Paris Three-Arm Scance, \$2,255—Urban Archaeology; 212/431-4646; urbanarchaeology.com.

City Retreat

PAGES 14-19

Architect: James Joseph, Hottenroth + Joseph Architects, 152 Madison Ave., 12th Floor, New York, NY 10016; 212/941-1900; hjny.com.
Project architect: Martin Curphey, Hottenroth + Joseph Architects, 152 Madison Ave., 12th Floor, New York, NY 10016; 212/941-1900; hjny.com.
Interior designer: Lauren Stern, Lauren Stern Design, 156 Fifth Ave., Suite 833, New York, NY 10010; 347/404-1251; laurensterndesign.com.
Builder: Johnny Donadic, S. Donadic, Inc., 45-25 39th St., Long Island City, NY, 11104; 718/361-9888; donadic.com.
Sink 1930s series washbasin—Duravit USA; 888/387-2848; duravit.com. **Faucet** Julia Low Profile Three Hole Deck Mounted Lavatory Faucet with cross handle—Waterworks; 800/998-2284; waterworks.com. **Pendant lighting** Murano glass Aquatinta—Plug Lighting and Design, Los Angeles; 323/653-5635.
PAGES 18-19
Faucet Julia Low Profile Three Hole Deck Mounted Lavatory Faucet with cross handle—Waterworks; 800/998-2284; waterworks.com. **Mirror** Grundtal Mirror—IKEA, United States: 877/345-4532, Canada: 888/932-4532; ikea.com. **Stool** Diamond—Pattern Ceramic Stool—Wisteria; 800/767-5490; wisteria.com. **Washbasin** 1930s series washbasin—Duravit USA; 888/387-2848; duravit.com.

Eastern Exposure

PAGES 20-27

Interior designer: Christine Julian, Julian Kitchen Design, Inc., 2S720 Ginny Lane W., Oak Brook, IL 60523; 630/852-8800; juliankitchendesign.com.
Stone screens Indian hand-carved marble Jali windows, **cabinet at sink** Asian custom work, **cabinet hardware, mirror**—Primitive, Chicago; 312/575-9600; beprimitive.com. **Sink and tub fixtures** from the WaterBridge series in Rustic Mellow Copper—Sonoma Forge; 800/330-5553; sonomaforge.com. **Sink** in Brush Stroke Bronze—Wawirka, Portland, Oregon; 503/249-1642; wawirka.com. **Tub** Ruby—Neptune Products, Inc.; 888/226-7099; produitsneptune.com.
Floor tile Noce tumbled marble—Chadwick's Surfaces International, Libertyville, Illinois; 847/680-3222; chadwicksurfaces.net. **Window covering** custom with resin inserts—Julian Kitchen Design, Inc., Oak Brook, Illinois; 630/852-8800; juliankitchendesign.com.
Stone wall Seville tumbled travertine—through Materials Marketing; 800/368-3901; mstoneandtile.com [T]. **Ceiling light fixtures at screened area and at sink** 331040, **light fixture over sink mirror** 586650—Fine Art Lamps; Miami Lakes, Florida; 305/821-3850; fineartlamps.com. **Tiled wall at sink** Jazz Glass Miles Modular in Coltrane Cream—The Fine Line Showroom, Chicago; 312/670-0300; finelinetile.com. **Cabinet countertop** custom concrete—Cornerstone Decorative Concrete, Holland, Michigan; 616/836-3163; cd-concrete.com. **Vase**—Anthropologie; 800/309-2500; anthropologie.com.
PAGES 26-27
Faucet from the WaterBridge series in Rustic Mellow Copper—Sonoma Forge; 800/330-5553; sonomaforge.com. **Panels** Indian Jali Windows—Primitive, Chicago; 312/575-9600; beprimitive.com. **Sink** in Brush Stroke Bronze—Wawirka, Portland, Oregon; 503/249-1642; wawirka.com. **Tub** Ruby—Neptune Products, Inc.; 888/226-7099; produitsneptune.com.

Light-Filled Splendor

PAGES 28-33

Architects: Stuart Silk and Michael Troyer, design principals, Michael McFadden, project manager, Stuart Silk Architects, Limited PS, 2400 N. 45th St., Suite 200, Seattle, WA 98103; 206/728-9500; stuartsilks.com.
Interior designer: Nancy Burfiend, ASID, NB Design Group, 1932 First Ave., Suite 926, Seattle, WA 98101; 206/441-7754; nbdesigngroup.net.
Builder: Roberts Wygal, 5914 Lake Washington Blvd. NE, Kirkland, WA 98033; 425/483-0234; robertswygal.com.
Tub Napoli—Victoria & Albert; 800/421-7189; vandabaths.com/usa. **Tub and shower faucets** Axor—Hansgrohe; 800/334-0455; hansgrohe-usa.com. **Chandelier** Murano glass—Design Within Reach; 800/944-2233; dwr.com. **Tile for flooring and shower**

from the Studio series in beige by Atlas—Pental Granite & Marble, Seattle; 206/768-1278; pentalonline.com. **Cabinet pulls**—Baldwin Hardware Corp.; 800/566-1986; baldwinhardware.com. **Bench at vanity, sconces flanking mirrors** Chandler—Restoration Hardware; 800/910-9836; restorationhardware.com. **Mirror at vanity** Infinity—Room & Board; 800/486-6554; roomandboard.com. **Rug** I.M. International—Driscoll Robbins; 206/292-1115; driscollrobbins.com. **Bench in hallway**—The Paris Apartment, Miami Beach, Florida; 917/749-5089; theparisapartment.com. **Sinks** Fogo—Duravit USA; 888/387-2848; duravit.com. **Sink faucets**—Dornbracht USA, Inc.; 800/774-1181; dornbracht.com.

PAGES 32-33

Bench Toscane Linen Nailhead Bench in Sand-Tone Belgian Linen—Restoration Hardware; 800/910-9836; restorationhardware.com. **Showerhead** Raindance 180 AIR Showerhead in chrome—Hansgrohe; 800/334-0455; hansgrohe-usa.com.

Fresh Focus

PAGES 34-39

Architects: Sanford Byers, AIA, Susan Whitacre, project manager, Byers Design Group, LLC, 125 Spring St., Charleston, SC 29403; 843/577-5703; byersdesign.com.
Interior designer: Anne Moise, Garland Interiors, Mount Pleasant, South Carolina; e-mail; garlandinteriors@aol.com.
Tub ios—Victoria & Albert; 800/421-7189; vandabaths.com/usa. **Tub filler, shower fixtures**—Rohl; 800/777-9762; rohlhome.com. **Fabrication of all cabinets and double vanity**—McCabe's Cabinets and Woodwork by Tiger Welch, Sullivan's Island, South Carolina. **Wall-mount soap basket**—Ginger; 800/842-4872; gingerco.com. **Cabinet hardware**—through Foxworth Decorative Hardware, Mt. Pleasant, South Carolina; 843/881-0827; foxworth-hardware.com. **Cabinet paint** Shoji White 7042—The Sherwin-Williams Co.; 800/474-3794; sherwin-williams.com [P]. **Blinds**—Windows by Winona, Holly Hill, South Carolina; 803/496-5729. **Vanity top** honed Emperor Dark marble—through Kitchen Encounters, Inc., Charleston, South Carolina; 843/573-5080. **Flooring**—R. W. Cauble & Co., Charleston, South Carolina; 843/740-0992. **Sconce**—Circa Lighting of Charleston; 877/762-2323; circalighting.com. **Vanity mirrors, shower enclosure**—through Palmetto Glass and Mirror, Inc., Charleston, South Carolina; 843/556-0314. **Sinks**—Toto USA, Inc.; 800/350-8686; totousa.com. **Sink faucets**—SIGMA Designer Faucetry; 877/621-8383; sigmafaucet.com. **Shower wall tile**—Melcer Tile Distributors, Inc., Charleston, South Carolina; 843/744-5345; melcertile.com. **Tub, tub filler, sinks, faucets, and accessories**—purchased through Moluf's; Charleston, South Carolina; 843/723-4881; molufs.com.

PAGES 38-39

Tub filler Traditional Country Spout Bath Set with cross handles U.3781TX-APC—Perrin and Rowe, represented by Rohl; 800/777-9762; rohlhome.com.

Tub ios—Victoria & Albert; 800/421-7189; vandabaths.com/usa. **Knob** Wilton Knob—Katonah Architectural Hardware, Katonah, New York; 914/232-7796; katonahhardware.com. **Sconce** Box Sconce—Circa Lighting of Charleston, South Carolina; 877/762-2323; circa Lighting.com.

Lakeside Luxe

PAGES 40-43

Architects: Stuart Silk, design principal, Dave King, project manager, Stuart Silk Architects, Limited PS, 2400 N. 45th St., Suite 200, Seattle, WA 98103; 206/728-9500; stUARTSILK.com.

Interior designer: Nancy Burfiend, ASID, NB Design Group, 1932 First Ave., Suite 926, Seattle, WA 98101; 206/441-7754; nBdesigngroup.net.

General contractor: Tek-Line Construction, Inc., Seattle; 206/246-4210; teklineconstruction.com.

Marble for wall, floors, and shower St. Laurent marble—Michelangelo Marble, Inc., Seattle;

206/767-6549; michelangelomarble.com. **Towel warmer** Warmatowel 542—Steam & Sauna

Connection; 877/728-6280; steamsaun.com.

Tub—ZUMA Collection; zumacollection.com. **Wood for custom cabinets** rift-cut walnut, stained—contact

local lumber retailers. **Cabinet pulls** Tab Pull—Doug Mockett & Co., Inc.; 800/523-1269; mockett.com.

Shower fixtures and faucets at sink and tub

Tara—Dornbracht USA, Inc.; 800/774-1181;

dornbracht.com. **Sinks**—Kohler Co.; 800/456-4537;

us.kohler.com. **Mirrors** custom oil-rubbed bronze—

Starcraft; usstarcraft.com. **Sconces flanking mirrors**

Eureka—George Kovaks Lighting, a division of the

Minka Group; 800/221-7977; minkagroup.net.

Stools at tub and vanity—Restoration Hardware;

800/910-9836; restorationhardware.com.

PAGES 42-43

Towel warmer Warmatowel 542—Steam & Sauna

Connection; 877/728-6280; steamsaun.com.

Showerhead Clubmaster showerhead 28496—

Hansgrohe; 800/334-0455; hansgrohe-usa.com.

Susan Whitacre, intern, Byers Design Group, LLC, 125

Spring St., Charleston, SC 29403; 843/577-5703;

byersdesign.com.

Interior designers: Martha Nicholson, The Nicholson

Gallery, 764 Miami Cir., Suite 136, Atlanta, GA 30324;

404/848-9553; thenicholsongallery.gtengineers.com;

and Anne T. Moise, Garland Interiors, Mount Pleasant,

South Carolina; e-mail: garlandinteriors@aol.com.

Cabinets—Tiger Welsh, McCabe's Cabinets and

Woodworks, Sullivan's Island, South Carolina;

843/888-9777. **Cabinet paint** Shoji White SW7042,

island paint Library Pewter SW0038—The Sherwin-

Williams Co.; 800/474-3794; sherwin-williams.com

[P] **Cabinet hardware**—through Foxworth Hardware;

843/881-0827; foxworth-hardware.com. **Light**

fixtures Grosvenor—Circa Lighting; 912/447-1008;

circa Lighting.com. **Refrigerator integrated with**

cabinetry, dishwasher—Bosch; 800/866-2022;

boschappliances.com. **Refrigerator drawers**

integrated with cabinetry—KitchenAid; kitchenaid.com.

Range, warming drawer—DCS by Fisher and

Paykel; 800/863-5394; dcsappliances.com.

Toaster—Cuisinart; 800/726-0190; cuisinart.com.

Hood Elite—Broan-Nu Tone, LLC; in the United States:

800/558-1711; in Canada: 877/896-1119; broan.com.

Shelf custom design—Anne T. Moise, Garland Interiors,

Mount Pleasant, South Carolina; e-mail:

garlandinteriors@aol.com. **Ice maker**—Scotsman

Ice Systems; 800/726-8762; scotsman-ice.com.

Mortar, pestle—Sur La Table; 800/243-0852;

surlatable.com. **Bottles with oil**—Anthropologie;

800/309-2500; anthropologie.com. **Dining**

table—Elizabeth Stuart Design, Charleston, South

Carolina; 843/577-6272. **Counter stools**—Lowe's;

800/445-6937; lowes.com.

KEY

[T]: To the trade only

Contact a design professional for help in purchasing these items or services.

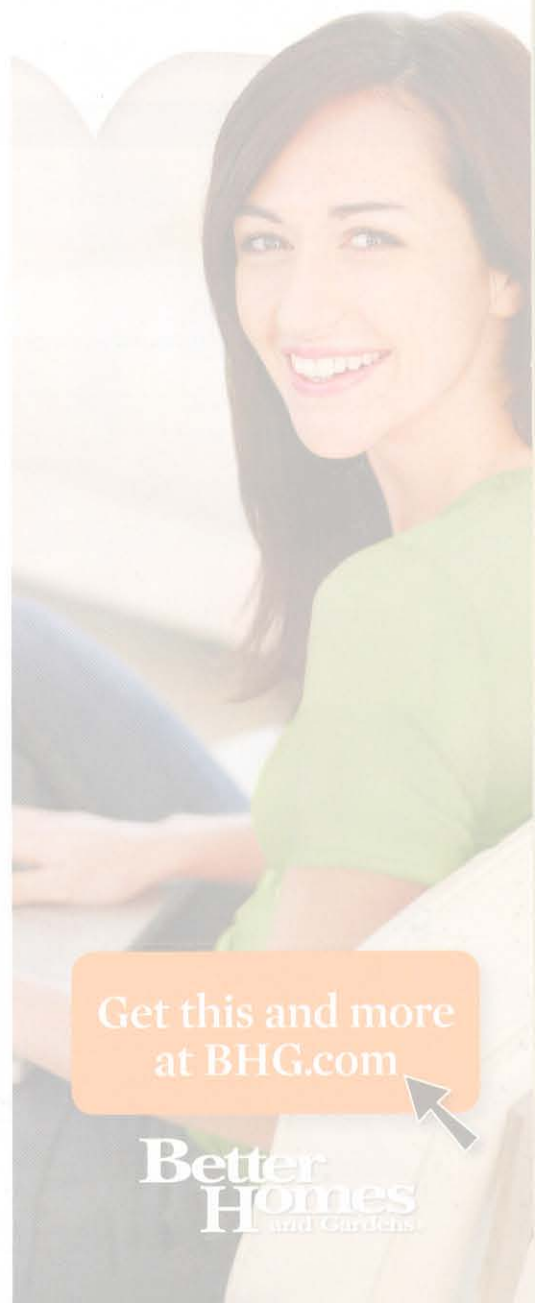
[P]: Paint color

Because of the magazine printing process, paint colors depicted on our pages might vary slightly from manufacturer's colors.

“I needed decorating ideas. Guess what I found on BHG.com?”

Inspiration for my dream room, and help to create it. A couple of my BHG.com favorites:

- **Decorating Gallery**
Hundreds of designer rooms!
- **Color-a-Room**
Try out colors, fabric and flooring



Get this and more
at BHG.com

Better
Homes
with Gardens